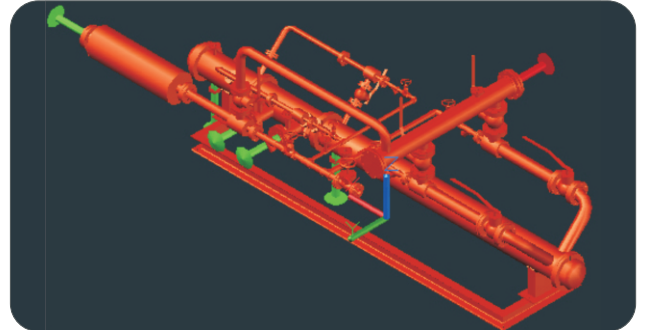


CADISON® Inventor® Interface

Highlights

- 3D parts from Autodesk Inventor can be imported to CADISON® 3D-designer
- Complex assemblies can be quickly and easily converted into CADISON®
- Connection type "pipe with flange" is supported
- Free CADISON® export Inventor plug-in is available for suppliers using the Inventor environment
- Search feature is available to display the list of all existing Inventor imported objects in a drawing
- The update function simplifies handling in CADISON® 3D updates in Inventor original model



The CADISON® Inventor interface enables the users to import an Autodesk Inventor part or assembly into CADISON® environment as a CADISON® object. Add-on menu in Inventor will assist the users in exporting Inventor part or assembly file into SAT and XML format. The interface has a provision to define connection points on planar face of any shape in Inventor as well as in CADISON® import wizard. This gives a user the ability to import objects with / without the connection points.

For example, CADISON® intelligently creates additional objects such as nozzle and flange to be used as connection points to continue pipe routing.

The user can map and define the imported Inventor graphics as CADISON® object classes .

